

Cover Interposer Tray Type 3260
(B704)

Cover Interposer Tray Type 3260 (B704)

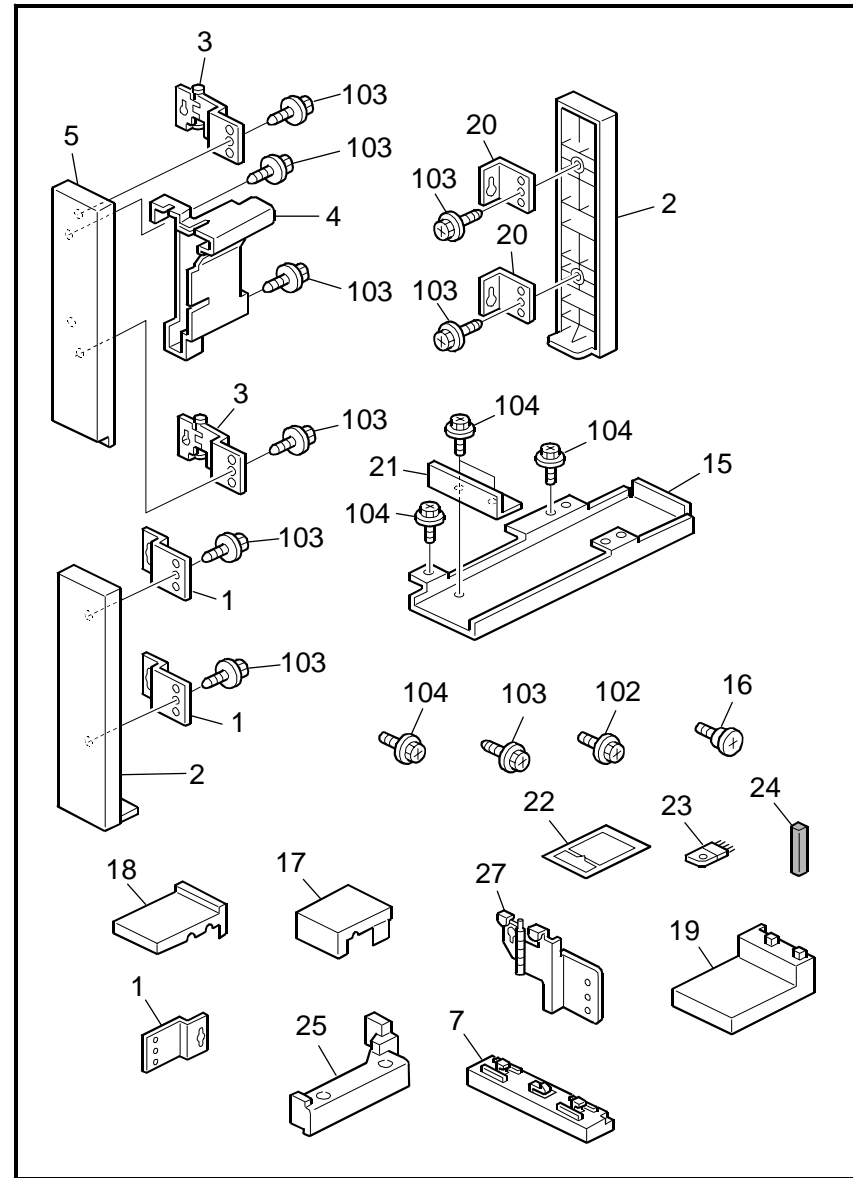
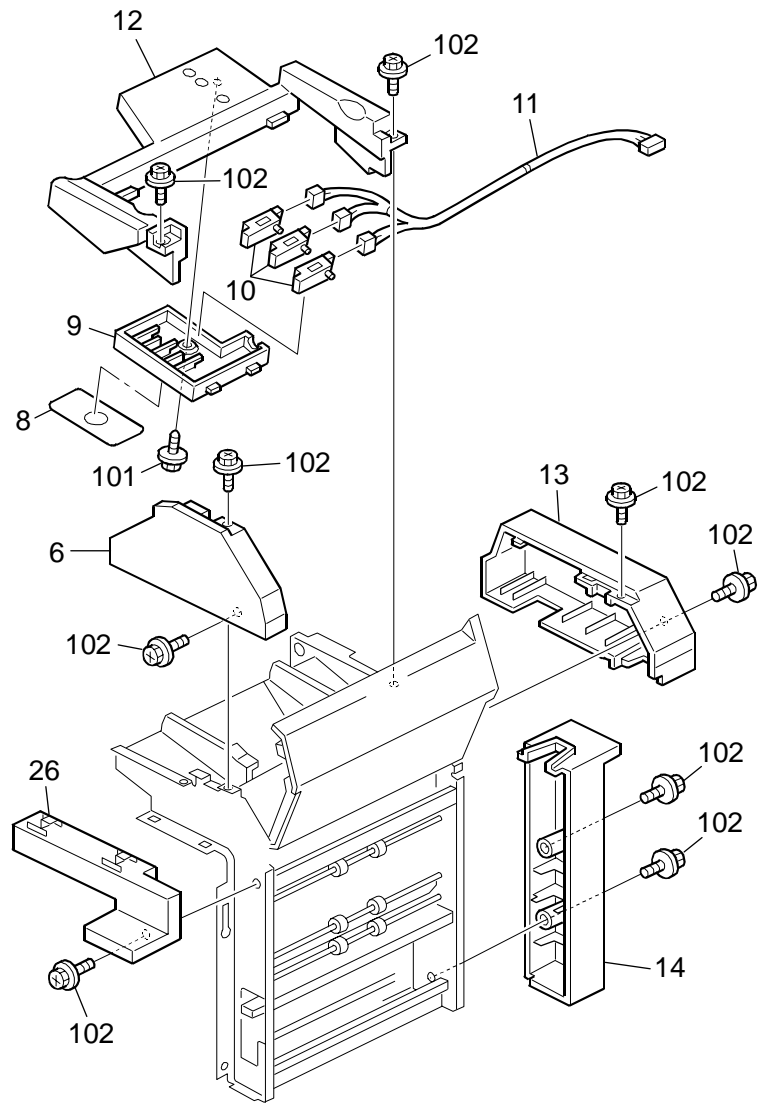
PARTS CATALOG

This catalog gives the numbers and names of parts on this machine.

1.Exterior (B762)	2
2.Original Feed 1 (B762).....	4
3.Original Feed 2 (B762).....	6
4.Original Feed 3 (B762).....	8
5.Original Transfer (B762)	10
6.Drive And Electrical (B762).....	12
Parts Index	15

April ,8 ' 2005

1.Exterior (B762)

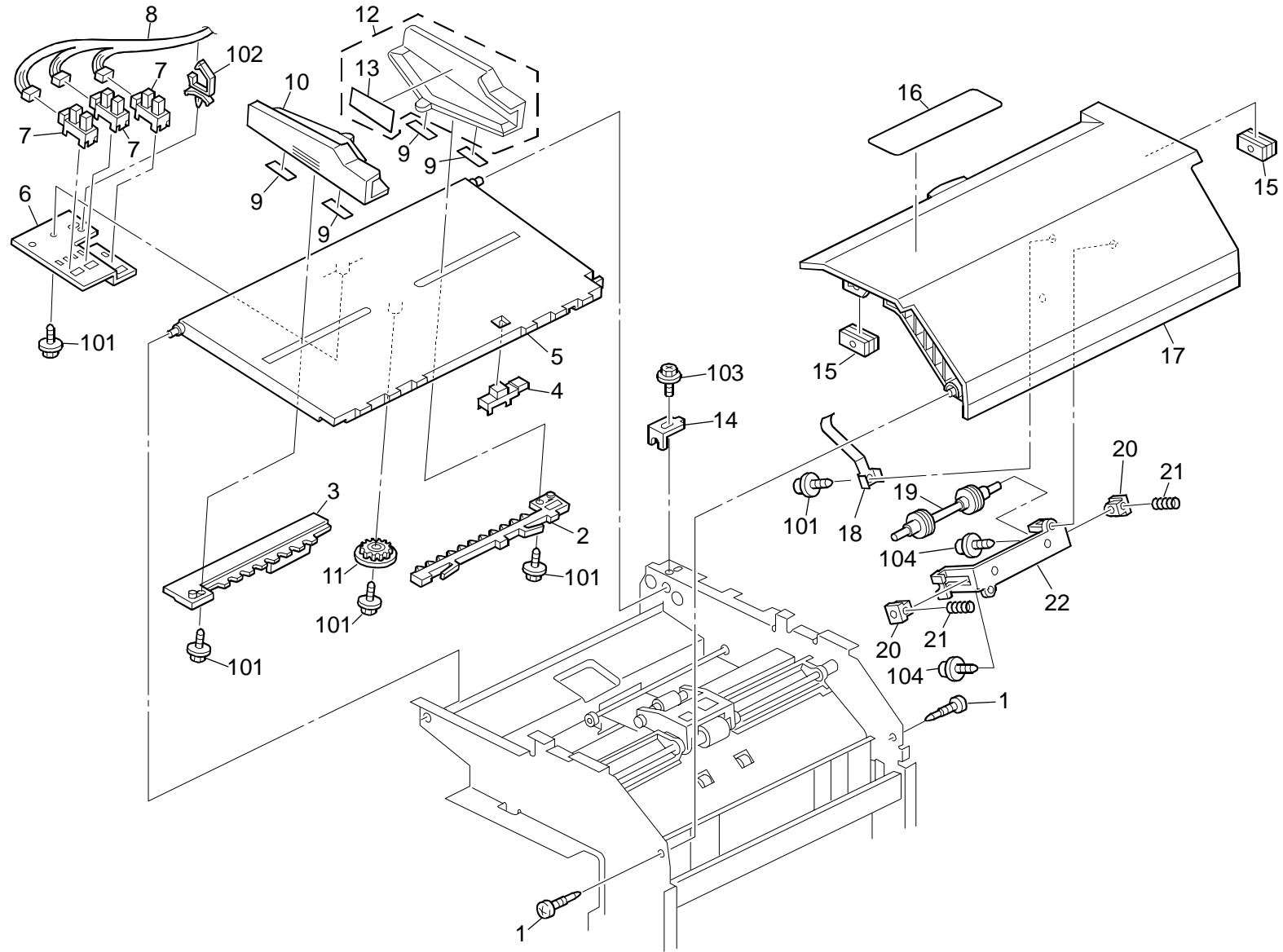


1.Exterior (B762)

Index No.	Part No.	Description	Q'ty Per Assembly
1	B470 4572	Lower Cover Bracket	4
2	B470 4571	Lower Cover	2
3	B470 4552	Door Hinge	2
4	B704 4557	Stopper:Door	1
5	B470 4551	Front Door	1
6	B704 4531	Cover:Upper:Front Upper	1
7	B470 4591	Spacer Cover	1
8	B470 4523	Decal - Paper Feed Table	1
9	B470 4522	Paper Feed Table - Back	1
10	AW01 0112	Photo Refiection Sensor:Original Table	3
11	B470 5271	Harness - Paper Size Sensor Long	1
12	B470 4521	Paper Feed Table	1
13	B470 4541	Upper Rear Cover	1
14	B470 4561	Middle Rear Cover	1
15	B470 4582	Cover:Base	1
16	AA14 3562	Screw:M4:Dia6x1.2	3
17	B470 4596	Right Front Spacer Cover	1
18	B470 4597	Right Rear Spacer Cover	1
19	B704 4533	Cover:Lower:Front Upper	1
20	B704 4672	Bracket:Cover:Rear:Lower	2
21	B470 4585	Stopper:Cover:Base	1
22	B704 7115	Decal:Paper Feed:Original	1
23	B704 4255	Discharge Brush:Guide Plate:Ass'y	1
24	B010 1289	Left Gasket - Front Rear	2
25	B704 4558	Spacer:Stopper:Door	1
26	B704 4532	Cover:Lower:Front Upper	1
27	B704 4562	Hinge:Door:Lower:Ass'y	1

Index No.	Part No.	Description	Q'ty Per Assembly
101	0450 3008N	Tapping Screw - M3x8	
102	0451 3008N	Tapping Screw - M3x8	
103	0450 4008N	Tapping Screw - M4x8	
104	0451 3006N	Tapping Screw - 3x6	

2.Original Feed 1 (B762)

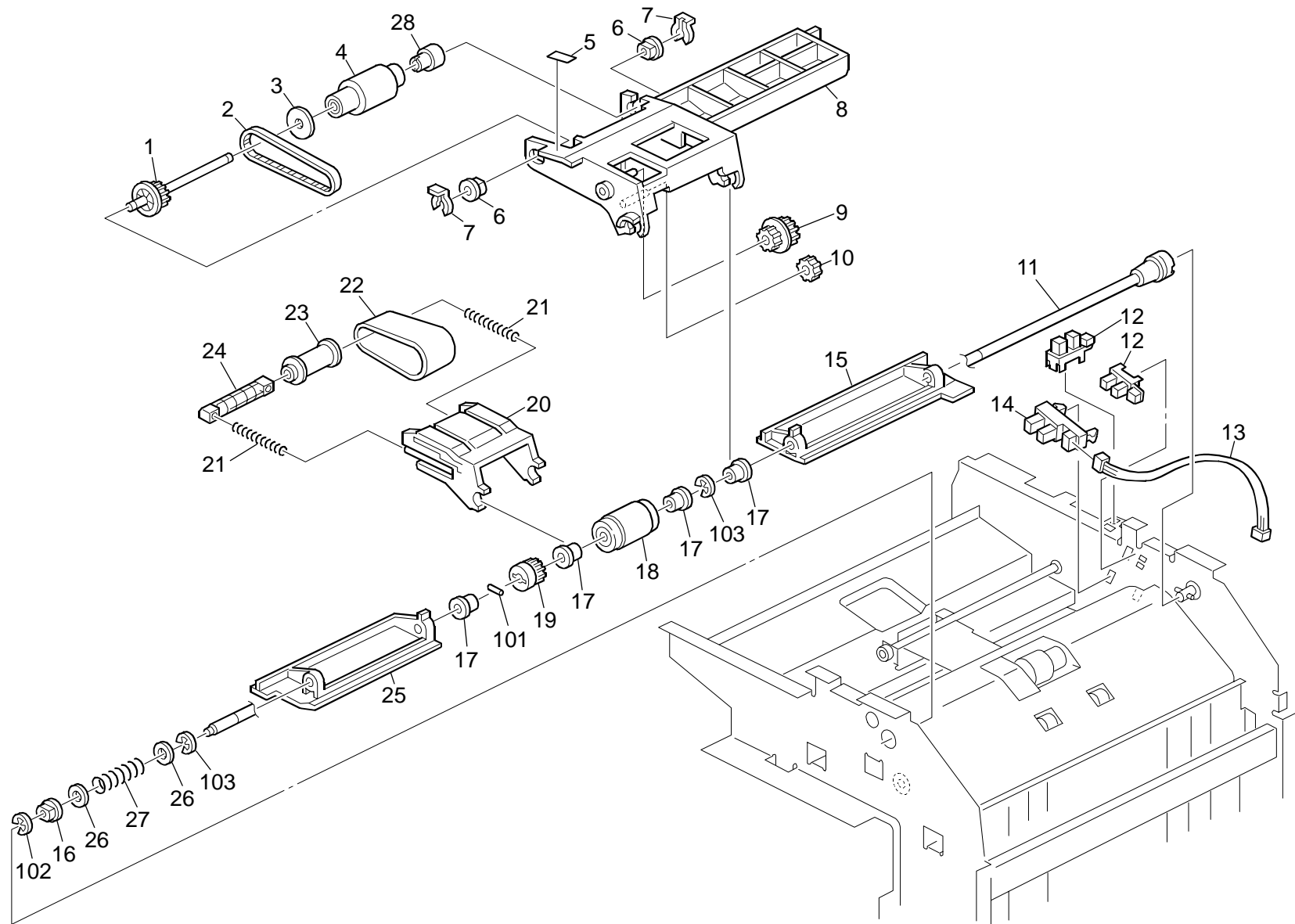


2.Original Feed 1 (B762)

Index No.	Part No.	Description	Q'ty Per Assembly
1	AA14 3788	Pin:Guide Plate:Paper Feed	2
2	B387 4661	Front Rack - Side Fence	1
3	B470 2375	Rear Rack	1
4	AW01 0057	Pegistration Sensor	1
5	B470 2372	Base - Paper Feed Table	1
6	B470 2377	Sensor Bracket	1
7	AW02 0156	Photointerruptor:EE-SX4235A-P2	3
8	B470 5260	Relay Harness - PAPER SIZE	1
9	B387 4646	Side Fence Pad	4
10	B470 2373	Front Side Fence	1
11	A859 4665	Gear - 16Z	1
12	B470 2365	Rear Side Fence	1
13	B470 7101	Decal - Side Fence	1
14	B470 2378	Original Table Holder	1
15	AG07 0514	Magnet Catch:Ass'y	2
16	B470 7104	Decal - Misfeed Removal	1
17	B470 4511	Cover - Paper Feed	1
18	B470 4515	Pressure Plate	1
19	AF02 2106	Driven Roller	1
20	AA08 0242	Bushing - 4mm	2
21	B470 4514	Compression Spring	2
22	B470 4513	Roller Bracket	1

Index No.	Part No.	Description	Q'ty Per Assembly
101	0450 3008N	Tapping Screw - M3x8	
102	1105 0511	Harness Clamp - LWS-0306ZC	
103	0451 3006N	Tapping Screw - 3x6	
104	0450 4008N	Tapping Screw - M4x8	

3.Original Feed 2 (B762)

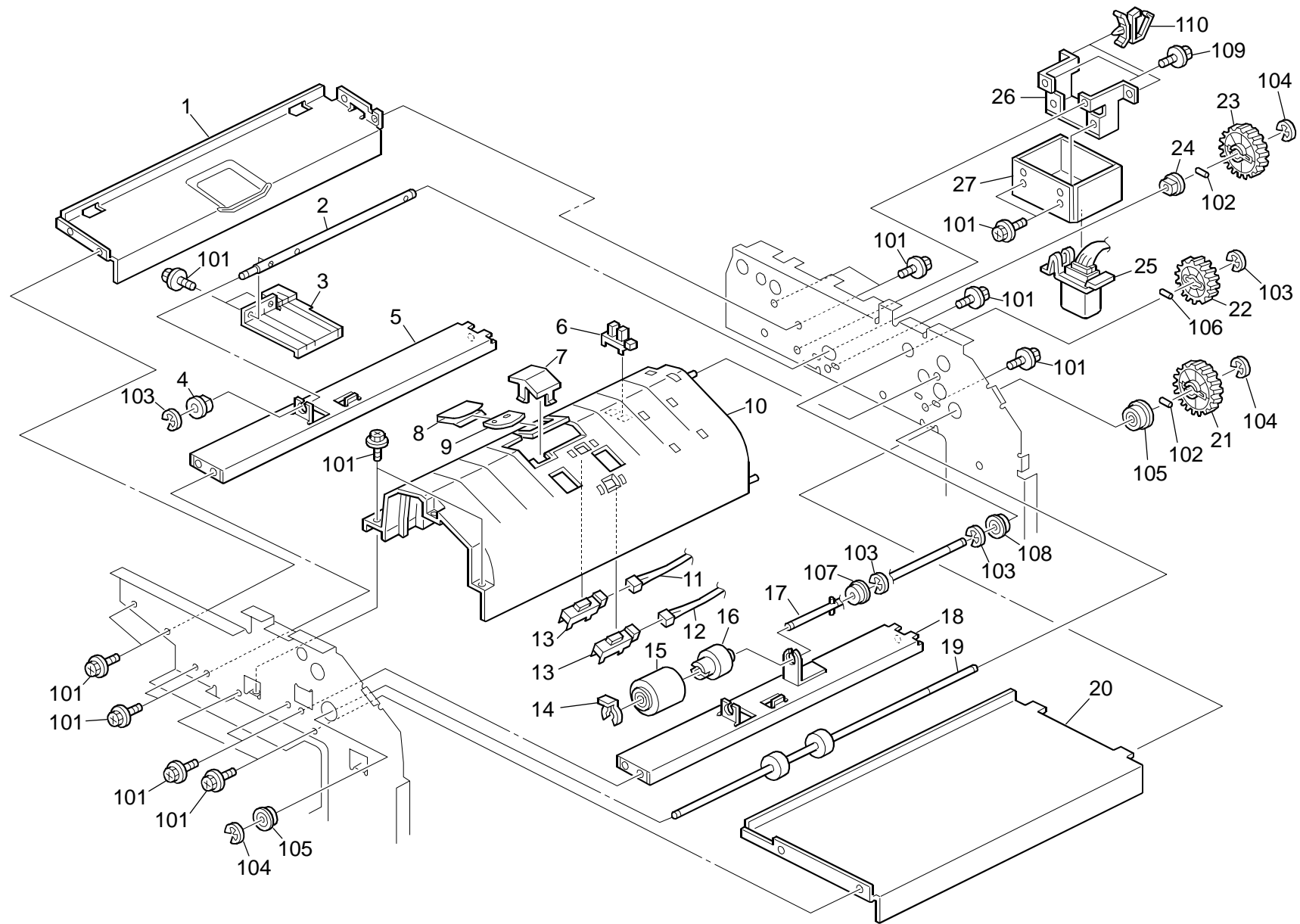


3.Original Feed 2 (B762)

Index No.	Part No.	Description	Q'ty Per Assembly
1	A806 2153	Timing Pulley - T27 S2M	1
2	A806 4118	Timing Belt - B40S2M148	1
3	AA13 2171	Spacer - 6x20x1	1
4	B477 2225	Pick-up Roller	1
5	A858 6022	Decal Blue	1
6	5053 0447	Bushing - 6mm	2
7	5447 2681	Snap Ring	2
8	B470 2261	Pick-up Roller Bracket	1
9	A806 2151	Timing Pulley - T19/Z23 S2M/M0.6	1
10	A806 2271	Gear - Z18	1
11	B470 2211	Drive Shaft	1
12	AW02 0156	Photointerruptor:EE-SX4235A-P2	2
13	B470 5281	Harness - Paper Near End	1
14	AW02 0165	Photointerruptor - EE-SX460-P2	1
15	B470 2214	Entrance Guide Plate	1
16	5304 1639	Bushing - 8mm	1
17	A628 1225	Bushing - 8mm	3
18	A806 1293	Feed Belt Drive Roller	1
19	B470 2212	Draive Gear - Pick-up	1
20	A806 1292	Feed Belt Bracket	1
21	A806 4261	Spring Belt Guide Roller	2
22	A806 1295	Feed Belt	1
23	A806 1294	Feed Belt Driven Roller	1
24	A806 1298	Transport Belt Roller Shaft	1
25	B470 2213	Entrance Guide Plate	1
26	AA13 2013	Spacer	2
27	AA06 3315	Spring - Belt Drive Shaft	1
28	B477 2226	Pickup Roller:Coupling	1

Index No.	Part No.	Description	Q'ty Per Assembly
101	0632 0120G	Parallel Pin - 2x12	
102	0720 0040E	Retaining Ring - M4	
103	0720 0060E	Retaining Ring - M6	

4.Original Feed 3 (B762)

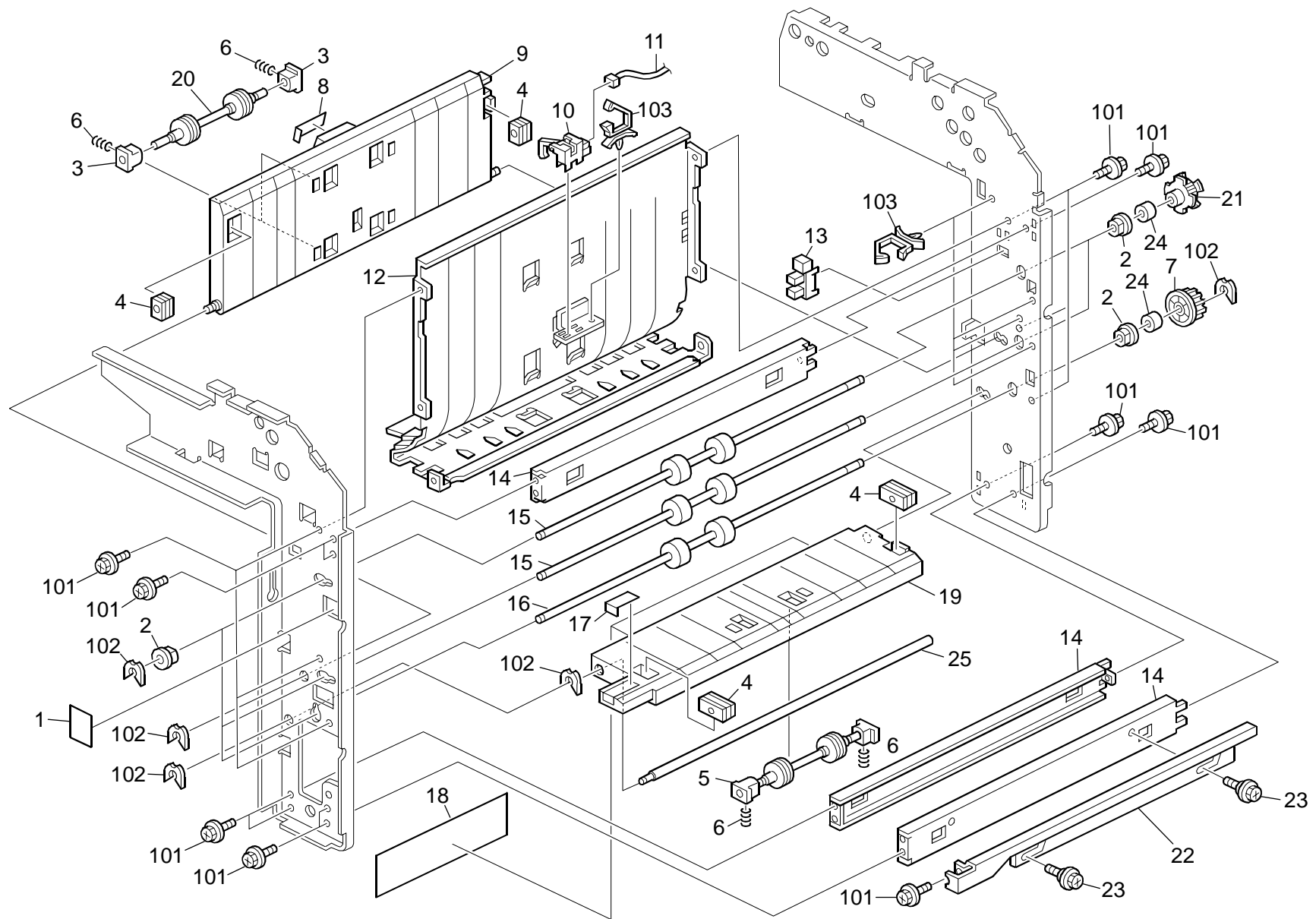


4.Original Feed 3 (B762)

Index No.	Part No.	Description	Q'ty Per Assembly
1	B470 1511	Left Stay	1
2	B470 2321	Base Shaft	1
3	A806 1342	Base Lever	1
4	5053 0447	Bushing - 6mm	1
5	B470 1621	Stay - Reverse Roller	1
6	AW02 0156	Photointerruptor:EE-SX4235A-P2	1
7	B470 2112	Upper Guide Plate	1
8	B470 2113	Separation Pad Holder	1
9	B301 1155	Separation Support Pad	1
10	B470 2111	Guide Plate - Paper Feed	1
11	B470 5230	Relay Harness	1
12	B470 5240	Relay Harness	1
13	AW01 0057	Pegistration Sensor	2
14	5447 2681	Snap Ring	1
15	A859 2241	Reverse Roller	1
16	A294 6700	Torque Limiter - 53mnm	1
17	B470 3141	Reverse Roller Shaft	1
18	B470 1710	Stay - Reverse Roller	1
19	B704 2511	Roller:Pull Out:Drive	1
20	B470 1811	Base Frame	1
21	B470 3151	Gear - 36Z	1
22	B301 2221	Gear - 31Z	1
23	A806 2281	Gear - Z47	1
24	5304 1639	Bushing - 8mm	1
25	B470 5201	Harness - Interface	1
26	B704 5161	Bracket:Connector:Upper	1
27	B704 5170	Bracket:Connector:Lower:Ass'y	1

Index No.	Part No.	Description	Q'ty Per Assembly
101	0451 3006N	Tapping Screw - 3x6	
102	0632 0140G	Parallel Pin	
103	0720 0040E	Retaining Ring - M4	
104	0720 0060E	Retaining Ring - M6	
105	0741 3808	Ball Bearing - 8x16x5mm	
106	0632 0120G	Parallel Pin - 2x12	
107	0741 3706	Ball Bearing - 6x10x3	
108	0741 3506	Ball Bearing - 6x12x4 Mm	
109	0802 5276	Tapping Screw With Washer - M3x6	
110	1105 0516	Clamp	

5.Original Transfer (B762)

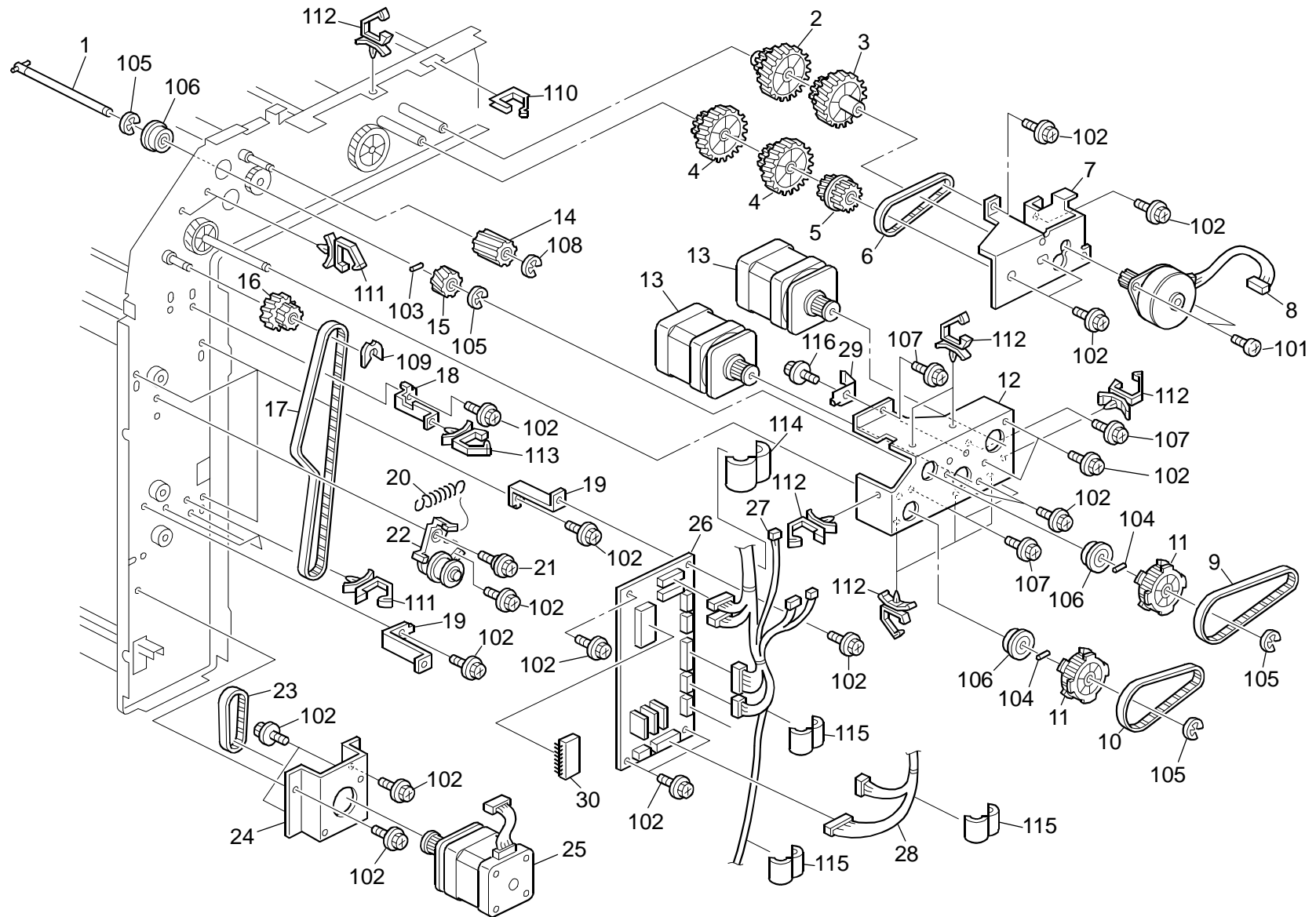


5.Original Transfer (B762)

Index No.	Part No.	Description	Q'ty Per Assembly
1	B470 7105	Decal - Misfeed Removal	1
2	5053 0447	Bushing - 6mm	5
3	AA08 0242	Bushing - 4mm	4
4	AG07 0514	Magnet Catch:Ass'y	4
5	AF02 2147	Driven Roller	1
6	AA06 3529	Pressure Spring - 14.5mm	2
7	GB03 0032	Timing Pulley - T28-S2M	1
8	B470 7102	Decal - Q1	1
9	B470 4311	Guide Plate	1
10	AW02 0154	Photointerruptor:Entrance	1
11	B470 5250	Relay Harness	1
12	B704 4112	Guide Plate:Vertical Transport:Right	1
13	AW02 0156	Photointerruptor:EE-SX4235A-P2	1
14	B408 1413	Coupling Stay	1
15	B704 4121	Transport Roller:Lower	2
16	B704 4211	Transport Roller	1
17	B470 7103	Decal - Q2	1
18	B470 4225	Guide Plate Myler	1
19	B470 4231	Side Guide Plate	1
20	AF02 2106	Driven Roller	2
21	B352 1607	Timing Pulley - T20-S3M	2
22	A697 1128	Joint Lever	1
23	AA14 3790	Screw:Contact Point	2
24	A376 1295	Spacer - M6x10x5	1
25	B470 4232	Shaft - Side Guide Plate	1

Index No.	Part No.	Description	Q'ty Per Assembly
101	0451 3006N	Tapping Screw - 3x6	
102	0805 0089	Retaining Ring - M4	
103	1105 0511	Harness Clamp - LWS-0306ZC	

6. Drive And Electrical (B762)



6. Drive And Electrical (B762)

Index No.	Part No.	Description	Q'ty Per Assembly
1	B470 3131	Drive Shaft	1
2	A806 2285	Gear - Z20/Z47	1
3	A806 2287	Gear - Z20/Z47	1
4	A806 2283	Gear - Z20/Z47	2
5	B470 2351	Timing Pulley - T30/Z20	1
6	A806 4117	Timing Belt - B40S2M158	1
7	A806 2362	Base Bracket	1
8	B652 2911	Stepper Motor:Base:Rise:Ass'y	1
9	B470 3161	Timing Belt - B40S2M224	1
10	B470 3171	Timing Belt - B40S2M176	1
11	B470 3133	Timing Pulley - T48S2M	2
12	B470 3181	Drive Bracket	1
13	B470 5510	Stepper Motor - Paper Feed - DC 11.6W	2
14	B301 2222	Gear - 20Z	1
15	B470 3134	Gear - 23Z	1
16	B470 3211	Idler Pulley - T20/Z30	1
17	B470 3250	Timing Belt - B40S3M456	1
18	A300 3151	Support Bracket	1
19	B470 5301	Base Bracket	2
20	5442 4121	Spring - Oil Blade	1
21	AA14 3790	Screw:Contact Point	1
22	B312 1605	Tightener	1
23	B704 3171	Timing Belt:B40S2M188	1
24	B704 3321	Bracket:Stepper Motor	1
25	B477 3731	Exit Motor - DC 3.9W	1
26	B704 5100	PCB:Main Control	1
27	B470 5223	Harness - Sensor Main	1
28	B470 5211	Harness:Motor:Main	1
29	B704 3185	Spring Plate:Earth:Stepper Motor	1
30	B704 5103	Eprom:Main Control	1

Index No.	Part No.	Description	Q'ty Per Assembly
101	0453 3006N	Tapping Screw - M3x6	
102	0451 3006N	Tapping Screw - 3x6	
103	0632 0120G	Parallel Pin - 2x12	
104	0632 0140G	Parallel Pin	
105	0720 0060E	Retaining Ring - M6	
106	0741 3808	Ball Bearing - 8x16x5mm	
107	0802 5276	Tapping Screw With Washer - M3x6	
108	0720 0040E	Retaining Ring - M4	
109	0805 0089	Retaining Ring - M4	
110	1105 0518	Edge Saddle - Les-1010	
111	1105 0511	Harness Clamp - LWS-0306ZC	
112	1105 0516	Clamp	
113	1105 0489	Harness Clamp - LWS 1316	
114	1607 0704	Ferrite Core - ESD-SR-25	
115	1607 0623	Ferrite Core - TFC-16-8-13	
116	0454 3006Q	Tapping Screw:3x6	

Parts Index

Parts Index

Part No.	Description	Page and Index No.
B704 2511	Roller:Pull Out:Drive	9 - 19
B704 3171	Timing Belt:B40S2M188	13 - 23
B704 3185	Spring Plate:Earth:Stepper Motor	13 - 29
B704 3321	Bracket:Stepper Motor	13 - 24
B704 4112	Guide Plate:Vertical Transport:Right	11 - 12
B704 4121	Transport Roller:Lower	11 - 15
B704 4211	Transport Roller	11 - 16
B704 4255	Discharge Brush:Guide Plate:Ass'y	3 - 23
B704 4531	Cover:Upper:Front Upper	3 - 6
B704 4532	Cover:Lower:Front Upper	3 - 26
B704 4533	Cover:Lower:Front Upper	3 - 19
B704 4557	Stopper:Door	3 - 4
B704 4558	Spacer:Stopper:Door	3 - 25
B704 4562	Hinge:Door:Lower:Ass'y	3 - 27
B704 4672	Bracket:Cover:Rear:Lower	3 - 20
B704 5100	PCB:Main Control	13 - 26
B704 5103	Eprom:Main Control	13 - 30
B704 5161	Bracket:Connector:Upper	9 - 26
B704 5170	Bracket:Connector:Lower:Ass'y	9 - 27
B704 7115	Decal:Paper Feed:Original	3 - 22

Part No.	Description	Page and Index No.
A294 6700	Torque Limiter - 53mnm	9 - 16
A300 3151	Support Bracket	13 - 18
A376 1295	Spacer - M6x10x5	11 - 24
A628 1225	Bushing - 8mm	7 - 17
A697 1128	Joint Lever	11 - 22
A806 1292	Feed Belt Bracket	7 - 20
A806 1293	Feed Belt Drive Roller	7 - 18
A806 1294	Feed Belt Driven Roller	7 - 23
A806 1295	Feed Belt	7 - 22
A806 1298	Transport Belt Roller Shaft	7 - 24
A806 1342	Base Lever	9 - 3
A806 2151	Timing Pulley - T19/Z23 S2M/M0.6	7 - 9
A806 2153	Timing Pulley - T27 S2M	7 - 1
A806 2271	Gear - Z18	7 - 10
A806 2281	Gear - Z47	9 - 23
A806 2283	Gear - Z20/Z47	13 - 4
A806 2285	Gear - Z20/Z47	13 - 2
A806 2287	Gear - Z20/Z47	13 - 3
A806 2362	Base Bracket	13 - 7
A806 4117	Timing Belt - B40S2M158	13 - 6
A806 4118	Timing Belt - B40S2M148	7 - 2
A806 4261	Spring Belt Guide Roller	7 - 21
A858 6022	Decal Blue	7 - 5
A859 2241	Reverse Roller	9 - 15
A859 4665	Gear - 16Z	5 - 11
B010 1289	Left Gasket - Front Rear	3 - 24
B301 1155	Separation Support Pad	9 - 9
B301 2221	Gear - 31Z	9 - 22
B301 2222	Gear - 20Z	13 - 14
B312 1605	Tightener	13 - 22
B352 1607	Timing Pulley - T20-S3M	11 - 21
B387 4646	Side Fence Pad	5 - 9
B387 4661	Front Rack - Side Fence	5 - 2
B408 1413	Coupling Stay	11 - 14
B470 1511	Left Stay	9 - 1

Part No.	Description	Page and Index No.
B470 1621	Stay - Reverse Roller	9 - 5
B470 1710	Stay - Reverse Roller	9 - 18
B470 1811	Base Frame	9 - 20
B470 2111	Guide Plate - Paper Feed	9 - 10
B470 2112	Upper Guide Plate	9 - 7
B470 2113	Separation Pad Holder	9 - 8
B470 2211	Drive Shaft	7 - 11
B470 2212	Drive Gear - Pick-up	7 - 19
B470 2213	Entrance Guide Plate	7 - 25
B470 2214	Entrance Guide Plate	7 - 15
B470 2261	Pick-up Roller Bracket	7 - 8
B470 2321	Base Shaft	9 - 2
B470 2351	Timing Pulley - T30/Z20	13 - 5
B470 2365	Rear Side Fence	5 - 12
B470 2372	Base - Paper Feed Table	5 - 5
B470 2373	Front Side Fence	5 - 10
B470 2375	Rear Rack	5 - 3
B470 2377	Sensor Bracket	5 - 6
B470 2378	Original Table Holder	5 - 14
B470 3131	Drive Shaft	13 - 1
B470 3133	Timing Pulley - T48S2M	13 - 11
B470 3134	Gear - 23Z	13 - 15
B470 3141	Reverse Roller Shaft	9 - 17
B470 3151	Gear - 36Z	9 - 21
B470 3161	Timing Belt - B40S2M224	13 - 9
B470 3171	Timing Belt - B40S2M176	13 - 10
B470 3181	Drive Bracket	13 - 12
B470 3211	Idler Pulley - T20/Z30	13 - 16
B470 3250	Timing Belt - B40S3M456	13 - 17
B470 4225	Guide Plate Myler	11 - 18
B470 4231	Side Guide Plate	11 - 19
B470 4232	Shaft - Side Guide Plate	11 - 25
B470 4311	Guide Plate	11 - 9
B470 4511	Cover - Paper Feed	5 - 17
B470 4513	Roller Bracket	5 - 22

Part No.	Description	Page and Index No.
B470 4514	Compression Spring	5 - 21
B470 4515	Pressure Plate	5 - 18
B470 4521	Paper Feed Table	3 - 12
B470 4522	Paper Feed Table - Back	3 - 9
B470 4523	Decal - Paper Feed Table	3 - 8
B470 4541	Upper Rear Cover	3 - 13
B470 4551	Front Door	3 - 5
B470 4552	Door Hinge	3 - 3
B470 4561	Middle Rear Cover	3 - 14
B470 4571	Lower Cover	3 - 2
B470 4572	Lower Cover Bracket	3 - 1
B470 4582	Cover:Base	3 - 15
B470 4585	Stopper:Cover:Base	3 - 21
B470 4591	Spacer Cover	3 - 7
B470 4596	Right Front Spacer Cover	3 - 17
B470 4597	Right Rear Spacer Cover	3 - 18
B470 5201	Harness - Interface	9 - 25
B470 5211	Harness:Motor:Main	13 - 28
B470 5223	Harness - Sensor Main	13 - 27
B470 5230	Relay Harness	9 - 11
B470 5240	Relay Harness	9 - 12
B470 5250	Relay Harness	11 - 11
B470 5260	Relay Harness - PAPER SIZE	5 - 8
B470 5271	Harness - Paper Size Sensor Long	3 - 11
B470 5281	Harness - Paper Near End	7 - 13
B470 5301	Base Bracket	13 - 19
B470 5510	Stepper Motor - Paper Feed - DC 11.6W	13 - 13
B470 7101	Decal - Side Fence	5 - 13
B470 7102	Decal - Q1	11 - 8
B470 7103	Decal - Q2	11 - 17
B470 7104	Decal - Misfeed Removal	5 - 16
B470 7105	Decal - Misfeed Removal	11 - 1
B477 2225	Pick-up Roller	7 - 4
B477 2226	Pickup Roller:Coupling	7 - 28
B477 3731	Exit Motor - DC 3.9W	13 - 25

Part No.	Description	Page and Index No.
B652 2911	Stepper Motor:Base:Rise:Ass'y	13 - 8

Part No.	Description	Page and Index No.
AA06 3315	Spring - Belt Drive Shaft	7 - 27
AA06 3529	Pressure Spring - 14.5mm	11 - 6
AA08 0242	Bushing - 4mm	11 - 3
AA08 0242	Bushing - 4mm	5 - 20
AA13 2013	Spacer	7 - 26
AA13 2171	Spacer - 6x20x1	7 - 3
AA14 3562	Screw:M4:Dia6x1.2	3 - 16
AA14 3788	Pin:Guide Plate:Paper Feed	5 - 1
AA14 3790	Screw:Contact Point	11 - 23
AA14 3790	Screw:Contact Point	13 - 21
AF02 2106	Driven Roller	5 - 19
AF02 2106	Driven Roller	11 - 20
AF02 2147	Driven Roller	11 - 5
AG07 0514	Magnet Catch:Ass'y	5 - 15
AG07 0514	Magnet Catch:Ass'y	11 - 4
AW01 0057	Pegistration Sensor	9 - 13
AW01 0057	Pegistration Sensor	5 - 4
AW01 0112	Photo Refiection Sensor:Original Table	3 - 10
AW02 0154	Photointerruptor:Entrance	11 - 10
AW02 0156	Photointerruptor:EE-SX4235A-P2	7 - 12
AW02 0156	Photointerruptor:EE-SX4235A-P2	9 - 6
AW02 0156	Photointerruptor:EE-SX4235A-P2	5 - 7
AW02 0156	Photointerruptor:EE-SX4235A-P2	11 - 13
AW02 0165	Photointerruptor - EE-SX460-P2	7 - 14
GB03 0032	Timing Pulley - T28-S2M	11 - 7

Part No.	Description	Page and Index No.
0450 3008N	Tapping Screw - M3x8	5 - 101
0450 3008N	Tapping Screw - M3x8	3 - 101
0450 4008N	Tapping Screw - M4x8	3 - 103
0450 4008N	Tapping Screw - M4x8	5 - 104
0451 3006N	Tapping Screw - 3x6	9 - 101
0451 3006N	Tapping Screw - 3x6	3 - 104
0451 3006N	Tapping Screw - 3x6	13 - 102
0451 3006N	Tapping Screw - 3x6	5 - 103
0451 3006N	Tapping Screw - 3x6	11 - 101
0451 3008N	Tapping Screw - M3x8	3 - 102
0453 3006N	Tapping Screw - M3x6	13 - 101
0454 3006Q	Tapping Screw:3x6	13 - 116
0632 0120G	Parallel Pin - 2x12	9 - 106
0632 0120G	Parallel Pin - 2x12	7 - 101
0632 0120G	Parallel Pin - 2x12	13 - 103
0632 0140G	Parallel Pin	9 - 102
0632 0140G	Parallel Pin	13 - 104
0720 0040E	Retaining Ring - M4	9 - 103
0720 0040E	Retaining Ring - M4	13 - 108
0720 0040E	Retaining Ring - M4	7 - 102
0720 0060E	Retaining Ring - M6	13 - 105
0720 0060E	Retaining Ring - M6	9 - 104
0720 0060E	Retaining Ring - M6	7 - 103
0741 3506	Ball Bearing - 6x12x4 Mm	9 - 108
0741 3706	Ball Bearing - 6x10x3	9 - 107
0741 3808	Ball Bearing - 8x16x5mm	9 - 105
0741 3808	Ball Bearing - 8x16x5mm	13 - 106
0802 5276	Tapping Screw With Washer - M3x6	13 - 107
0802 5276	Tapping Screw With Washer - M3x6	9 - 109
0805 0089	Retaining Ring - M4	11 - 102
0805 0089	Retaining Ring - M4	13 - 109
1105 0489	Harness Clamp - LWS 1316	13 - 113
1105 0511	Harness Clamp - LWS-0306ZC	11 - 103
1105 0511	Harness Clamp - LWS-0306ZC	13 - 111
1105 0511	Harness Clamp - LWS-0306ZC	5 - 102

Part No.	Description	Page and Index No.
1105 0516	Clamp	9 - 110
1105 0516	Clamp	13 - 112
1105 0518	Edge Saddle - Les-1010	13 - 110
1607 0623	Ferrite Core - TFC-16-8-13	13 - 115
1607 0704	Ferrite Core - ESD-SR-25	13 - 114

Part No.	Description	Page and Index No.
5053 0447	Bushing - 6mm	7 - 6
5053 0447	Bushing - 6mm	9 - 4
5053 0447	Bushing - 6mm	11 - 2
5304 1639	Bushing - 8mm	7 - 16
5304 1639	Bushing - 8mm	9 - 24
5442 4121	Spring - Oil Blade	13 - 20
5447 2681	Snap Ring	7 - 7
5447 2681	Snap Ring	9 - 14

Part No.	Description	Page and Index No.
----------	-------------	--------------------